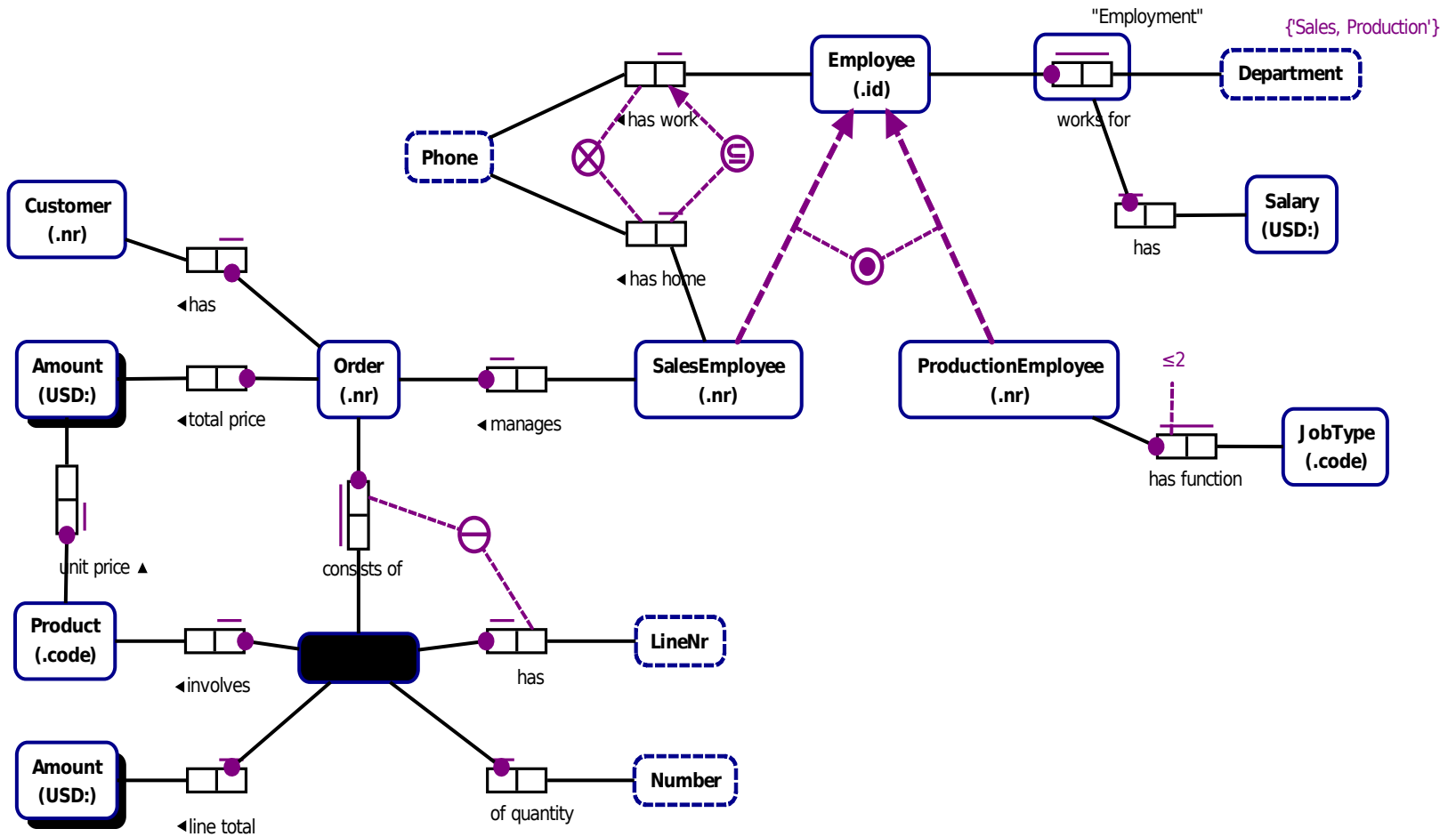


Exam solutions IIS

Exam of April, 2010

ORM Model



SQL, question (a)

```
Select LectId, StudId, Grade
From (Exam Join Lecture) on
      (Exam.CourseId =
Lecture.CourseId and
      Exam.Semester =
Lecture.Semester)
Where Grade >= 6 and Semester =
`2009-2.2`
Group By LectId
```

SQL, question (b)

```
Select DeptId, CourseId,  
Count(Distinct LectId)  
From (Course Join Lecture) on  
        Course.CourseId =  
Lecture.CourseId  
Group By DeptId  
Having Count(Distinct CourseId) >  
10
```

SQL, question (c)

- *PerfectCourse*:

Select CourseId **From** Course

Where Not Exists

(Select * From Exam

Where Exam.CourseId = Course.CourseId
and Grade < 6)

- Substitute *PerfectCourse* in the following solution:

Select Name, CourseId

From ((Lecturer **Join** Lecture) **on**

Lecturer.Id = Lecture.LectId)

Join PerfectCourse) **Using** CourseId